

# FD8133/34

## Fixed Dome Network Camera

**1MP • MicroSD/SDHC • Compact Design**



VIVOTEK FD8133(Wired)/FD8134(PoE) is an easy-to-use fixed dome network camera specifically designed for indoor security applications with a compact, stylish exterior. Equipped with a 1MP sensor enabling viewing resolution of 1280x800 at 30 fps, users need look no further for an all-in-one camera capable of capturing high quality, high resolution video.

This camera supports the industry-standard H.264 compression technology, drastically reducing file sizes and conserving valuable network bandwidth. With MPEG-4 and MJPEG compatibility also included, video streams can also be transmitted in any of these formats for versatile applications. The streams can also be individually configured to meet different constraints, thereby further reducing bandwidth and storage requirements. Users can thus receive multiple streams simultaneously in different resolutions, frame rates, and image qualities for viewing on different platforms. The FD8134 model is aimed at providing 24-hour surveillance for indoor applications and features true day and night functionality with a removable IR-cut filter and built-in IR illuminators.

Also included are a number of advanced features which are standard for VIVOTEK cameras, including tamper detection, MicroSD/SDHC card slot\*, 802.3af compliant PoE(FD8134), and VIVOTEK's 32-channel recording software. With all of these capabilities, the FD8133/34 prevents the best value in IP surveillance for indoor applications such as offices, banks, ATMs, and retail stores.

## Features

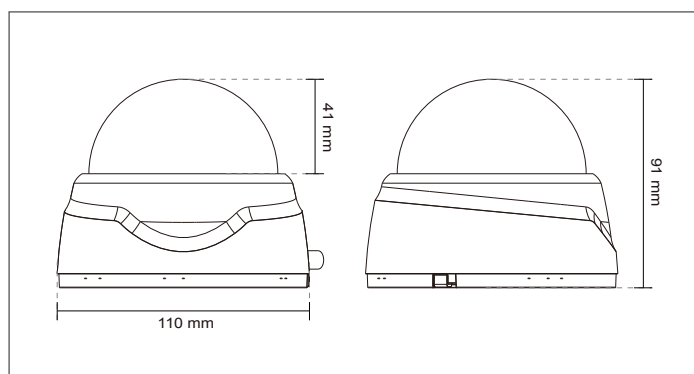
- > 1-Megapixel CMOS Sensor
- > Removable IR-cut Filter for Day and Night Function (FD8134)
- > Built-in IR Illuminators, Effective up to 10 Meters (FD8134)
- > Real-time H.264, MPEG-4 and MJPEG Compression (Triple Codec)
- > Built-in 802.3af Compliant PoE (FD8134)
- > Built-in MicroSD/SDHC Card Slot for On-board Storage\*
- > 3-axis Mechanical Design for Ceiling and Wall Mount Installation
- > Easy and Flexible Installation
- > Compact and Attractive ID Design

\* No MicroSD/SDHC card slot & local storage function for Argentina.

|                                   |  |
|-----------------------------------|--|
| <b>Models</b>                     | <ul style="list-style-type: none"> <li>· FD8133 (DC power)</li> <li>· FD8134 (PoE)</li> </ul>  |
| <b>System</b>                     | <ul style="list-style-type: none"> <li>· CPU: TI DM365 SoC</li> <li>· Flash: 128MB</li> <li>· RAM: 256MB</li> <li>· Embedded OS: Linux 2.6</li> </ul>  |
| <b>Lens</b>                       | <ul style="list-style-type: none"> <li>· Board lens, Fixed, f = 3.6 mm, F1.8</li> <li>· Removable IR-cut filter for day &amp; night function (FD8134)</li> </ul>   |
| <b>Angle of View</b>              | <ul style="list-style-type: none"> <li>· 56°(horizontal)</li> <li>· 41°(vertical)</li> </ul>   |
| <b>Shutter Time</b>               | <ul style="list-style-type: none"> <li>· 1/5 sec. to 1/25,000 sec.</li> </ul>  |
| <b>Image Sensor</b>               | <ul style="list-style-type: none"> <li>· 1/4" CMOS sensor in 1280x800 resolution</li> </ul>  |
| <b>Minimum Illumination</b>       | <ul style="list-style-type: none"> <li>· 0.3 Lux @ F1.8 (FD8133)</li> <li>· 0 Lux @ F1.8 (IR LED on) (FD8134)</li> </ul>   |
| <b>IR Illuminators (FD8134)</b>   | <ul style="list-style-type: none"> <li>· Built-in IR illuminators, effective up to 10 meters</li> <li>· IR LED*8 (850nm)</li> </ul>  |
| <b>Video</b>                      | <ul style="list-style-type: none"> <li>· Compression: H.264, MJPEG &amp; MPEG-4</li> <li>· Streaming: Multiple simultaneous streams</li> <li>· H.264 streaming over UDP, TCP, HTTP or HTTPS</li> <li>· MPEG-4 streaming over UDP, TCP, HTTP or HTTPS</li> <li>· H.264/MPEG-4 multicast streaming</li> <li>· MJPEG streaming over HTTP or HTTPS</li> <li>· Supports activity adaptive streaming for dynamic frame rate control</li> <li>· Supports 3GPP mobile surveillance</li> <li>· Frame rates:                             <ul style="list-style-type: none"> <li>· H.264: Up to 30/25 fps at 1280x800</li> <li>· MPEG-4: Up to 30/25 fps at 1280x800</li> <li>· MJPEG: Up to 30/25 fps at 1280x800</li> </ul> </li> </ul> |
| <b>Image Settings</b>             | <ul style="list-style-type: none"> <li>· Adjustable image size, quality and bit rate</li> <li>· Time stamp and text caption overlay</li> <li>· Flip &amp; mirror</li> <li>· Configurable brightness, contrast, saturation, sharpness, white balance and exposure</li> <li>· AGC, AWB, AES</li> <li>· Automatic, manual or scheduled day/night mode (FD8134)</li> <li>· BLC (Backlight Compensation)</li> <li>· Supports privacy masks</li> </ul>   |
| <b>Networking</b>                 | <ul style="list-style-type: none"> <li>· 10/100 Mbps Ethernet, RJ-45</li> <li>· Onvif support</li> <li>· Protocols: IPv4, IPv6, TCP/IP, HTTP, HTTPS, UPnP, RTSP/RTP/RTCP, IGMP, SMTP, FTP/DHCP, NTP, DNS, DDNS, PPPoE, CoS, QoS, SNMP, and 802.1X</li> </ul>   |
| <b>Alarm and Event Management</b> | <ul style="list-style-type: none"> <li>· Triple-window video motion detection</li> <li>· Tamper detection</li> <li>· One D/I for external sensor</li> <li>· Event notification using HTTP, SMTP or FTP</li> <li>· Local recording of MP4 file</li> </ul>   |
| <b>On-board Storage</b>           | <ul style="list-style-type: none"> <li>· MicroSD/SDHC card slot</li> <li>· Stores snapshots and video clips</li> </ul> <p><small>*Note: No MicroSD/SDHC card slot &amp; local storage function for Argentina.</small></p>  |

|  |  |
|--|--|
| <b>Security</b>                                  | <ul style="list-style-type: none"> <li>· Multi-level user access with password protection</li> <li>· IP address filtering</li> <li>· HTTPS encrypted data transmission</li> <li>· 802.1X port-based authentication for network protection</li> </ul>   |
| <b>Users</b>                                     | <ul style="list-style-type: none"> <li>· Live viewing for up to 10 clients</li> </ul>  |
| <b>Dimension</b>                                 | <ul style="list-style-type: none"> <li>· Camera: Ø 110 mm x 91 mm</li> <li>· Cable length: 480 mm</li> <li>· Cable diameter: Ø 7.8 mm; Max width: Ø 24 mm</li> </ul>   |
| <b>Weight</b>                                    | <ul style="list-style-type: none"> <li>· Net: 463 g (FD8133)</li> <li>· Net: 479 g (FD8134)</li> </ul>   |
| <b>LED Indicator</b>                             | <ul style="list-style-type: none"> <li>· System power and status indicator</li> <li>· System activity and network link indicator</li> </ul>  |
| <b>Power</b>                                     | <ul style="list-style-type: none"> <li>· 12V DC</li> <li>· Power consumption:                             <ul style="list-style-type: none"> <li>· Max. 3.5 W (FD8133)</li> <li>· Max. 4.5 W (FD8134)</li> </ul> </li> <li>· 802.3af compliant Power-over-Ethernet (Class 2) (FD8134)</li> </ul>   |
| <b>Approvals</b>                                 | <ul style="list-style-type: none"> <li>· CE, LVD, FCC, VCCI, C-Tick</li> </ul>   |
| <b>Operating Environments</b>                    | <ul style="list-style-type: none"> <li>· Temperature: 0 ~ 50 °C (32 ~ 122 °F)</li> <li>· Humidity: 90% RH</li> </ul>   |
| <b>Viewing System Requirements</b>               | <ul style="list-style-type: none"> <li>· OS: Microsoft Windows 7/Vista/XP/2000</li> <li>· Browser: Mozilla Firefox, Internet Explorer 6.x or above</li> <li>· Cell phone: 3GPP player</li> <li>· Real Player: 10.5 or above</li> <li>· Quick Time: 6.5 or above</li> </ul>   |
| <b>Installation, Management, and Maintenance</b> | <ul style="list-style-type: none"> <li>· 3-axis mechanism for flexible ceiling and wall mount installation</li> <li>· Camera angle adjustment:                             <ul style="list-style-type: none"> <li>· FD8133: pan 350°, tilt 85°, rotate 350°</li> <li>· FD8134: pan 350°, tilt 65°, rotate 350°</li> </ul> </li> <li>· Installation Wizard 2</li> <li>· 32-CH ST7501 recording software</li> <li>· Supports firmware upgrade</li> </ul> |
| <b>Applications</b>                              | <ul style="list-style-type: none"> <li>· SDK available for application development and system integration</li> </ul>   |
| <b>Warranty</b>                                  | <ul style="list-style-type: none"> <li>· 24 months</li> </ul>  |

Dimension



All specifications are subject to change without notice. Copyright © 2011 VIVOTEK INC. All rights reserved. P/N: 971003401

Distributed by:



**VIVOTEK INC.**  
 6F, No.192, Lien-Cheng Rd., Chung-Ho, New Taipei City, 235, Taiwan, R.O.C.  
 |T: +886-2-82455282 | F: +886-2-82455532 | E: sales@vivotek.com

**VIVOTEK USA, INC.**  
 2050 Ringwood Avenue, San Jose, CA 95131  
 |T: 408-773-8686 | F: 408-773-8298 | E: salesusa@vivotek.com