

PZ7111/7112

Pan/Tilt/Zoom Network Camera

10x Zoom • Dual Streams • PoE



VIVOTEK's PZ7111/7121 is a high-performance network camera featuring 10x zoom and pan/tilt functionality. The camera is designed for indoor surveillance applications such as retail stores, offices, and banks.

The built-in 10x motorized optical zoom module provides excellent depth of field when zoomed in, displaying clear-cut images of near or distant objects. With 300-degree pan and 135-degree tilt, the camera can achieve a wide range of view, giving users more comprehensive control over the monitored site. The PZ7111/7121 is incorporated with VIVOTEK's self-developed Bach SoC; therefore, users can benefit from the advantages of dual-codec video and two-way audio. With support for simultaneous dual streaming, the camera allows users to view MJPEG or MPEG-4 videos on multiple platforms such as web browsers or 3G cell phones.

VIVOTEK's PZ7111/7121 also supports wireless and Power-over-Ethernet connection, making installation easier and more cost-efficient. The free, standard, multi-lingual 16-channel recording software helps users to seamlessly set up an easy-to-use IP surveillance system.

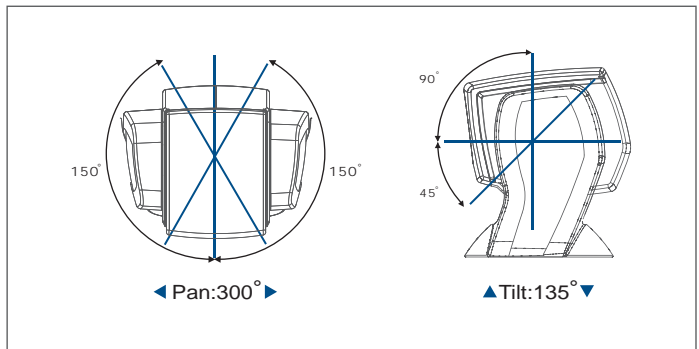
Features

- > 10x Optical Zoom Lens
- > Motorized Pan/Tilt (Pan: -150° ~ +150°; Tilt: -45° ~ +90°)
- > Real-time MPEG-4 and MJPEG Compression (Dual Codec)
- > Dual Streams Simultaneously
- > 3GPP Mobile Surveillance
- > Built-in 802.3af Compliant PoE (PZ7111, PZ7121)
- > Built-in 802.11b/g WLAN (PZ7112, PZ7122)
- > Two-way Audio via SIP Protocol
- > Built-in/External Microphone Switch
- > HTTPS Encrypted Data Transmission
- > Digital I/O for External Sensor and Alarm

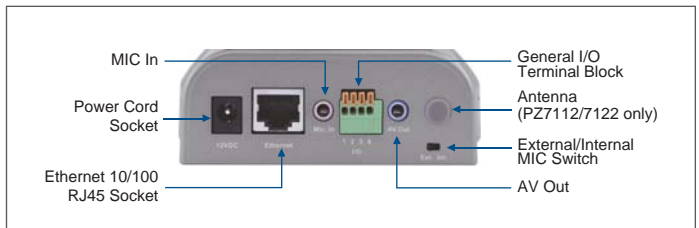
Models	<ul style="list-style-type: none"> · PZ7111 (NTSC CCD, PoE) · PZ7121 (PAL CCD, PoE) · PZ7112 (NTSC CCD, WLAN) · PZ7122 (PAL CCD, WLAN)
System	<ul style="list-style-type: none"> · CPU: Bach SoC · Flash: 8MB · RAM: 64MB + 32MB · Embedded OS: Linux 2.6
Pan/Tilt/Zoom	<ul style="list-style-type: none"> · Pan range: 300° (-150° ~ +150°) · Tilt range: 135° (-45° ~ +90°) · 10x optical zoom, 10x digital zoom · Auto pan mode · Auto patrol mode
Lens	<ul style="list-style-type: none"> · 10x optical zoom lens, f = 4.2 ~ 42 mm, F1.8 (wide), F2.9 (tele), auto-iris, auto focus
Angle of View	<ul style="list-style-type: none"> · 4.9° ~ 46° (horizontal) · 3.6° ~ 35° (vertical)
Shutter Time	<ul style="list-style-type: none"> · 1/60 sec. to 1/10,000 sec. (PZ7111/PZ7112) · 1/50 sec. to 1/10,000 sec. (PZ7121/PZ7122)
Image Sensor	<ul style="list-style-type: none"> · 1/4" CCD sensor in D1 resolution
Minimum Illumination	<ul style="list-style-type: none"> · 1.5 Lux / F1.8 (typical) · 0.05 Lux / F1.8 (low light mode)
Video	<ul style="list-style-type: none"> · Compression: MJPEG & MPEG-4 · Streaming: <ul style="list-style-type: none"> · Simultaneous dual streams · MPEG-4 streaming over UDP, TCP, HTTP or HTTPS · MPEG-4 multicast streaming · MJPEG streaming over HTTP or HTTPS · Supports 3GPP mobile surveillance · Frame rates: <ul style="list-style-type: none"> · MPEG-4: Up to 30/25 fps at 704x480/704x576 · MJPEG: Up to 30/25 fps at 704x480/704x576 · Interface: <ul style="list-style-type: none"> · AV output
Image Settings	<ul style="list-style-type: none"> · Adjustable image size, quality and bit rate · Time stamp and text caption overlay · Flip & mirror · Configurable brightness, contrast, saturation, sharpness and white balance · ATW/AWB, AES/ALC · BLC (Backlight Compensation)
Audio	<ul style="list-style-type: none"> · Compression: <ul style="list-style-type: none"> · GSM-AMR speech encoding, bit rate: 4.75 kbps to 12.2 kbps · MPEG-4 AAC audio encoding, bit rate: 16 kbps to 128 kbps · Interface: <ul style="list-style-type: none"> · Built-in microphone · External microphone input · Audio output · External/Internal microphone switch · Supports two-way audio via SIP protocol · Supports audio mute
Networking	<ul style="list-style-type: none"> · 10/100 Mbps Ethernet, RJ-45 · Built-in 802.11b/g WLAN (PZ7112/PZ7122) · Protocols: IPv4, TCP/IP, HTTP, HTTPS, UPnP, RTSP/ RTP/RTCP, IGMP, SMTP, FTP, DHCP, NTP, DNS, DDNS and PPPoE
Alarm and Event Management	<ul style="list-style-type: none"> · Triple-window video for motion detection · One D/I and one D/O for external sensor and alarm · Event notification using HTTP, SMTP or FTP · Local recording of MP4 files
Security	<ul style="list-style-type: none"> · Multi-level user access with password protection · IP address filtering · Wireless: WEP, WPA-PSK, WPA2 (PZ7112/PZ7122) · HTTPS encrypted data transmission
Users	<ul style="list-style-type: none"> · Live viewing for up to 10 clients
Dimension	<ul style="list-style-type: none"> · Ø 105 mm x 120 mm
Weight	<ul style="list-style-type: none"> · Net: 391 g (PZ7111/PZ7121) · Net: 408 g (PZ7112/PZ7122)

LED Indicator	<ul style="list-style-type: none"> · System power and status indicator · System activity and network link indicator
Power	<ul style="list-style-type: none"> · 12V DC · Power consumption: Max. 12 W (PZ7111/7121) · Power consumption: Max. 13 W (PZ7112/7122) · 802.3af compliant Power-over-Ethernet (PZ7111/PZ7121)
Approvals	<ul style="list-style-type: none"> · CE, LVD, FCC, VCCI, C-Tick
Operating Environments	<ul style="list-style-type: none"> · Temperature: 0 ~ 50 °C (32 ~ 122 °F) · Humidity: 20% ~ 80% RH
Viewing System Requirements	<ul style="list-style-type: none"> · OS: Microsoft Windows 2000/XP/Vista · Browser: Mozilla Firefox, Internet Explorer 6.x or above · Cell phone: 3GPP player · Real Player: 10.5 or above · Quick Time: 6.5 or above
Installation, Management, and Maintenance	<ul style="list-style-type: none"> · Installation Wizard 2 · 16-CH recording software · Supports firmware upgrade
Applications	<ul style="list-style-type: none"> · SDK available for application development and system integration
Warranty	<ul style="list-style-type: none"> · 24 months

Pan/Tilt Range



External View



Accessories



All specifications are subject to change without notice. Copyright©2009 VIVOTEK INC. All rights reserved.

Distributed by:



6F, No.192, Lien-Cheng Rd., Chung-Ho, Taipei County, Taiwan
 Tel: +886 2 8245 5282 | Fax: +886 2 8245 5532 | E-mail: sales@vivotek.com
VIVOTEK USA, INC.
 470 Lakeside Drive Suite C, Sunnyvale, CA 94085 USA
 Tel: 408-773-8686 | Fax: 408-773-8298 | E-mail: salesusa@vivotek.com